

The new Saab 94x

Features and Specifications



Saab 9-4X Crossover

S= Standard, O = Option, NC = No Charge option, P = Package, — = Not available

Model	3.0i FWD	3.0i XWD	3.0i Premium FWD	3.0i Premium XWD	Aero XWD
Engine					
3.0L V6-cylinder, aluminum block and cylinder heads, 265 hp @5,500 rpm	S	S	S	S	—
2.8L V6-cylinder turbo, aluminum block and cylinder heads, 300 hp @5,300 rpm	—	—	—	—	S
Transmission					
6-speed automatic with manual shift mode, Front Wheel Drive (FWD)	S	—	S	—	—
6-speed automatic with manual shift mode, Cross-Wheel Drive (XWD)	—	S	—	S	—
6-speed automatic with manual shift mode and paddle shift, Cross-Wheel Drive (XWD)	—	—	—	—	S
Electronic limited slip rear differential (eLSD)	—	S	—	S	S
Chassis					
MacPherson strut front suspension with anti-roll bar	S	S	S	S	S
Linked H-Arm rear suspension with anti-roll bar	S	S	S	S	S
Four-wheel disc brakes, ventilated front & rear	S	S	S	S	S
DriveSense driver selectable chassis settings with Real Time Damping	—	—	—	—	S
Body & Exterior					
Wraparound windshield	S	S	S	S	S
Blacked-out A & B-pillars	S	S	S	S	S
Blacked-out side mirrors	S	S	S	S	S
Fuselage-inspired exterior design	S	S	S	S	S
Ice block-influenced front & rear lighting design	S	S	S	S	S
Rear LED signature lighting	S	S	S	S	S
Integrated rear roof spoiler	S	S	S	S	S
Halogen headlights	S	S	S	S	—
Bi-Xenon cornering headlights with signature front lighting	—	—	P	P	S
High-pressure headlight washers	—	—	S	S	S
Front fog lamps	—	—	—	—	S
Panoramic moonroof with power slide/tilt front section and power sunshade	O	O	O	O	O
18" 6-spoke alloy wheels with all-season tires	S	S	—	—	—
18" 6-spoke premium alloy wheels with all-season tires	—	—	S	S	—
20" 9-spoke alloy wheels with all-season tires	—	—	—	—	S
Twin exhaust tailpipes	S	S	S	S	S
Diamond Silver, metallic exterior color	NC	NC	NC	NC	NC
Zodiac Black, metallic exterior color	NC	NC	NC	NC	NC
Black, solid exterior color	NC	NC	NC	NC	NC
Birch White, solid exterior color	NC	NC	NC	NC	NC
Moorland Bronze, metallic exterior color	NC	NC	NC	NC	NC
Dark-tint rear windows	S	S	S	S	S
Towing package	O	O	O	O	O

Model	3.0i FWD	3.0i XWD	3.0i Premium FWD	3.0i Premium XWD	Aero XWD
Cabin & Interior styling					
Leather-wrapped steering wheel & gearshift knob	S	S	S	S	—
Leather-wrapped sport steering wheel & gearshift knob	—	—	—	—	S
Shark Gray perforated leather-appointed seats and door inserts	NC	NC	NC	NC	NC
Jet Black perforated leather-appointed seats and door inserts	NC	NC	NC	NC	NC
Parchment perforated leather-appointed seats and door inserts	NC	NC	—	—	—
Signature Saab mesh-style air outlets with joy-stick directional control	S	S	S	S	S
Driver-focused cockpit theme	S	S	S	S	S
Wood-effect interior trim	S	S	S	S	—
Graphite fiber-effect interior trim	—	—	—	—	S
Ambient lighting	—	—	S	S	S
Comfort & Convenience					
Heated front seats	P	P	S	S	S
Ventilated front seats	—	—	S	S	S
Electronic parking brake	S	S	S	S	S
Power windows with express up, front	S	S	S	S	S
Dual-zone climate control system	S	S	S	S	S
Tri-zone climate control system	—	—	P	P	P
Two-tiered, cooled glove box	S	S	S	S	S
Auto-dimming interior mirror	P	P	S	S	S
Power folding exterior mirrors with memory	P	P	S	S	S
Automatic air recirculation sensor	—	—	S	S	S
Power, heated outside mirrors	S	S	S	S	S
Auto-dimming outside mirrors	P	P	S	S	S
Rear 60/40 split folding seat	S	S	S	S	S
Rear center armrest with storage & two cup holders and trunk pass-through	S	S	S	S	S
Rear-passenger rake adjustable seatbacks	S	S	S	S	S
Two front seat passenger dual-depth cup holders	S	S	S	S	S
Front & rear interior reading lamps	S	S	S	S	S
Tire inflator repair kit	S	S	S	S	S
Compact spare tire	O	O	O	O	O
Front console & trunk locations with 12V outlet	S	S	S	S	S
Dual level door pocket storage areas	S	S	S	S	S
Length adjustable center armrest w/ storage bin	S	S	S	S	S

FEATURES & SPECIFICATIONS

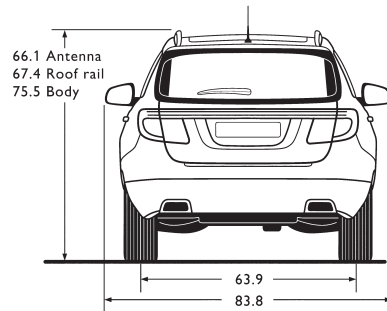
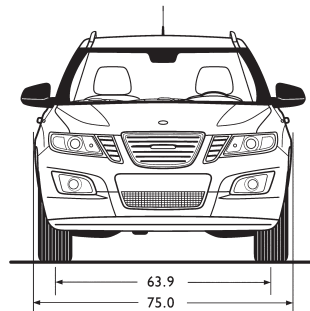
Model	3.0i FWD	3.0i XWD	3.0i Premium FWD	3.0i Premium XWD	Aero XWD
Comfort & Convenience					
Power driver front seat with memory	S	S	S	S	S
Cruise control	S	S	S	S	S
Driver information center with trip computer	S	S	S	S	S
Rain-sensing windshield wipers	—	—	S	S	S
Remote keyless entry	S	S	—	—	—
Keyless ignition (Engine Start & Stop button)	S	S	S	S	S
Keyless passive entry	—	—	S	S	S
Remote start	—	—	S	S	S
U-Rail rear cargo management system	S	S	S	S	S
Universal remote garage door opener	—	—	S	S	S
Power passenger front seat	—	—	S	S	S
Power adjustable pedals	P	P	S	S	S
Power lift gate	P	P	S	S	S
Heated rear seats	—	—	P	P	P
Safety & Security					
SAHR (Saab Active Head Restraint), front	S	S	S	S	S
Dual stage driver & front passenger air bags	S	S	S	S	S
Front & rear side curtain air bags	S	S	S	S	S
Anti-theft alarm with engine immobilizer	S	S	S	S	S
Child seat LATCH system	S	S	S	S	S
Electronic child safety locks, rear doors	S	S	S	S	S
Anti-pinch side windows	S	S	S	S	S
Visual & audible front safety belt reminder	S	S	S	S	S
Front side-impact thorax air bags	S	S	S	S	S
Front passenger sensing system	S	S	S	S	S
Front & rear outboard safety belt pre-tensioners	S	S	S	S	S
Front & rear outboard safety belt force limiters	S	S	S	S	S
Safety belt height adjustment, front	S	S	S	S	S
Rollover sensor for side curtain air bags and safety belt pre-tensioners	S	S	S	S	S
Central locking remote control with panic alarm	S	S	S	S	S
Rear seat outboard head restraints	S	S	S	S	S
Anti-lock braking system (ABS)	S	S	S	S	S
Electronic Stability Program (ESP®)	S	S	S	S	S
Traction Control System (TCS)	S	S	S	S	S
Break-away foot pedals	S	S	S	S	S
Tire pressure monitor	S	S	S	S	S
Infotainment & Technology					
AM/FM radio with CD player	S	S	S	S	—
Navigation radio with 8" touch screen with hard disk drive for map data and 10GB music jukebox	—	—	O	O	S

Model	3.0i FWD	3.0i XWD	3.0i Premium FWD	3.0i Premium XWD	Aero XWD
USB connection for MP3/iPod®/mass storage devices	S	S	S	S	S
Auxiliary audio input	S	S	S	S	S
OnStar® Directions & Connections with 6 months of service	S	S	S	S	S
Bluetooth® hands-free phone system	S	S	S	S	S
XM® Satellite radio with three months trial period	S	S	S	S	S
Steering wheel-mounted controls for audio system	S	S	S	S	S
7-speaker audio system	S	S	—	—	—
10-speaker Bose® audio system with 5.1 surround sound capability	—	—	S	S	S
Rear seat audio system (Requires Navigation radio)	—	—	P	P	P
Rear seat entertainment system with dual 8" DVD screens and wireless headphones (Requires Navigation radio)	—	—	P	P	P
Front and rear park assist	—	—	P	P	S
Rearview camera (displayed in inside rearview mirror)	P	P	S	S	—
Rearview camera (displayed in Navigation screen)	—	—	P	P	S
Option Packages					
Power Package:	O	O	—	—	—
Auto-dimming interior mirror					
Auto-dimming outside mirrors					
Power folding exterior mirrors with memory					
Power liftgate					
Power adjustable pedals					
Rearview camera (displayed in inside rearview mirror)					
Heated front seats					
Technology Package:	—	—	O	O	—
Front and rear park assist					
Bi-Xenon cornering headlights with signature front lighting					
Rear Passenger Package: (Requires Navigation)	—	—	O	O	—
Tri-zone climate control system					
Rear seat audio system					
Rear seat entertainment system with dual 8" DVD screens and wireless headphones					
Heated rear seats					
Rear Passenger Package:	—	—	—	—	O
Tri-zone climate control system					
Rear seat audio system					
Rear seat entertainment system with dual 8" DVD screens and wireless headphones					
Heated rear seats					

FEATURES & SPECIFICATIONS

S= Standard, O = Option, NC = No Charge option, P = Package, — = Not available

Model	3.0i FWD	3.0i XWD	3.0i Premium FWD	3.0i Premium XWD	Aero XWD
Specifications					
Engine					
3.0L V6-cylinder, aluminum block and cylinder heads, transverse					
Displacement, 182.9 cu. in. (2997 cc)	S	S	S	S	—
Bore & Stroke, 3.5×3.16 in. (89mm×80mm)					
Compression ratio, 11.7:1					
Power, 265 hp @ 6,950 rpm (195 kW)					
Torque, 223 lb.-ft. (302 Nm) @ 5,100 rpm					
4-valves per cylinder					
Dual overhead camshafts with variable cam phasing					
Direct fuel injection					
EPA-Estimated fuel economy, mpg city/hwy	18/25	17/23	18/25	17/23	—
2.8L V6-cylinder turbo, aluminum block and cylinder heads, transverse					
Displacement, 170.4 cu. in. (2792 cc)	—	—	—	—	S
Bore & Stroke, 3.5×2.9 in. (89mm ×74.8mm)					
Compression ratio, 9.5:1					
Power, 300 hp @ 5,500 rpm (221 kW)					
Torque, 295 lb.-ft. (400 Nm) @ 2,000 rpm					
4-valves per cylinder					
Dual overhead camshafts with variable cam phasing					
Twin-scroll turbocharger					
EPA-estimated fuel economy, mpg city/hwy	—	—	—	—	15/22
Brakes					
Brake disc diameter, fr, 13.6 in. (345 mm), vented	S	S	S	S	S
Brake disc diameter, rr, 12.4 in. (315 mm), vented	S	S	S	S	S
Brake caliper diameter, fr, aluminum dual piston	S	S	S	S	S
Brake caliper diameter, rr, aluminum single piston	S	S	S	S	S
Steering					
Rack and pinion	S	S	S	S	S
Hydraulic power assist	S	S	S	S	—
Hydraulic power assist with variable effort	—	—	—	—	S
Turning circle 39.0 ft.	S	S	S	S	S
Turns lock-to-lock 2.84	S	S	S	S	S



Model	3.0i FWD	3.0i XWD	3.0i Premium FWD	3.0i Premium XWD	Aero XWD
Specifications					
Exterior Dimensions					
Overall length, 190.1 in. (4828 mm)	S	S	S	S	S
Overall width, 75.0 in. (1905 mm)	S	S	S	S	S
Overall height, 66.1 in. (1679 mm)	S	S	S	S	S
Wheelbase, 110.5 in. (2807 mm)	S	S	S	S	S
Front track, 63.9 in. (1622 mm)	S	S	S	S	S
Rear track, 63.9 in. (1623 mm)	S	S	S	S	S
Curb weight, 4250–4650 lbs. (1928–1975 kg)	S	S	S	S	S
Max Tow capacity, 3500 lbs. (1588 kg)	S	S	S	S	S
Cargo capacity, 29.2 cu. ft. (827 liters)	S	S	S	S	S
Ground clearance, 7.9 in. (200 mm)	S	S	S	S	S
Fuel tank capacity, 21.1 gal (80 L)	S	S	S	S	S
CD value, 0.38	S	S	S	S	S
Interior Dimensions					
Shoulder room, front 58.3 in. (1482 mm)	S	S	S	S	S
Shoulder room, rear 56.9 in. (1444 mm)	S	S	S	S	S
Leg room, front 41.2 in. (1047 mm)	S	S	S	S	S
Leg room, rear 36.4 in. (924 mm)	S	S	S	S	S
Headroom, front, without moonroof 39.9 in. (1013 mm)	S	S	S	S	S
Headroom, rear, without moonroof 38.8 in. (986 mm)	S	S	S	S	S

